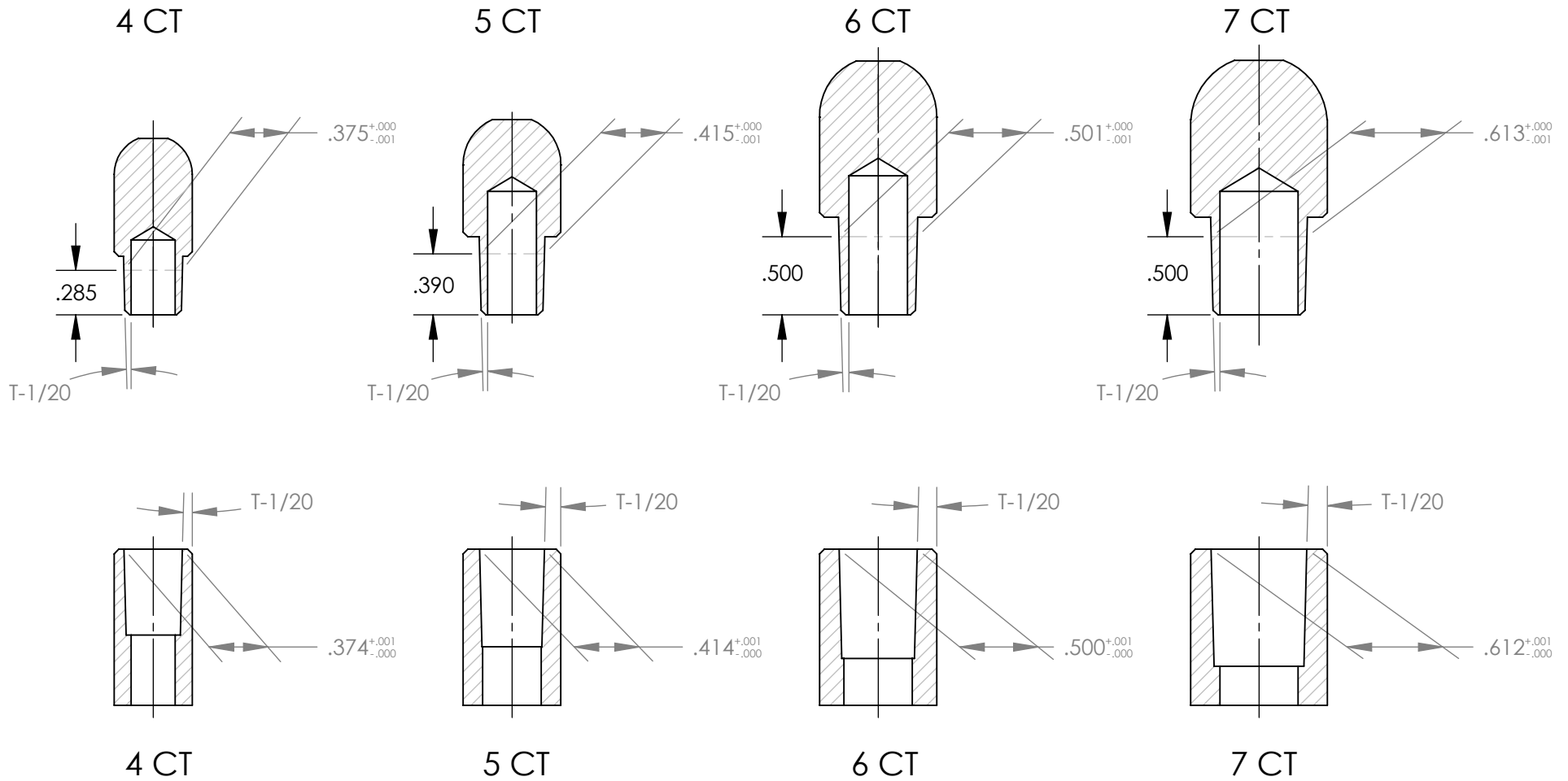


MALE CAP TAPER



ID SHANK TAPER FOR MALE CAPS

$1/20 = 1.433^\circ = 1^\circ 26'$

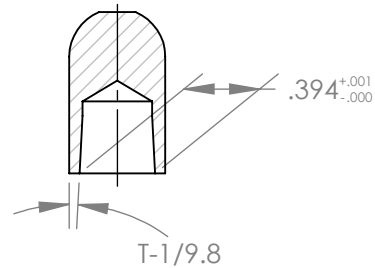
$1/9.8 = 2.948^\circ = 2^\circ 56' 52''$

$1/9.6 = 2.982^\circ = 2^\circ 58' 53''$

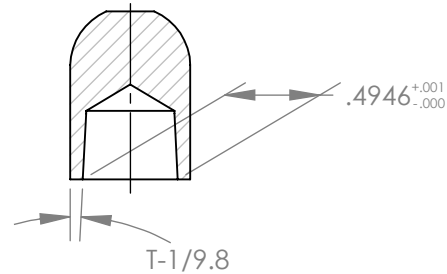
TUFFALOY PRODUCTS, INC.
 1400 SOUTH BATESVILLE RD
 GREER, SOUTH CAROLINA 29650

FEMALE CAP TAPER

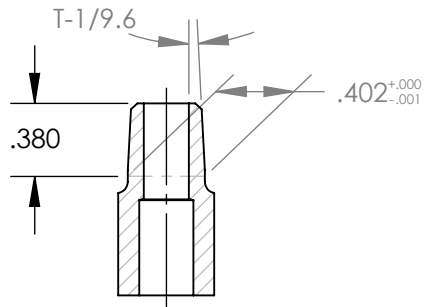
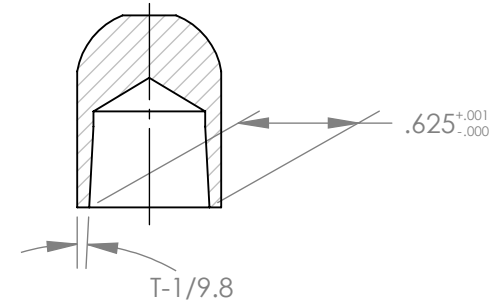
4 CT



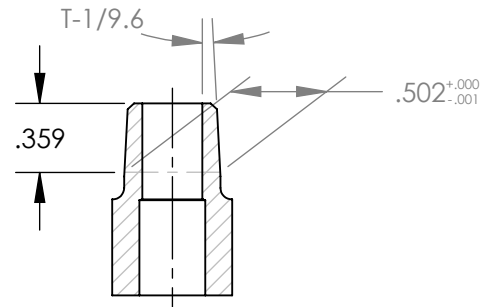
5 CT



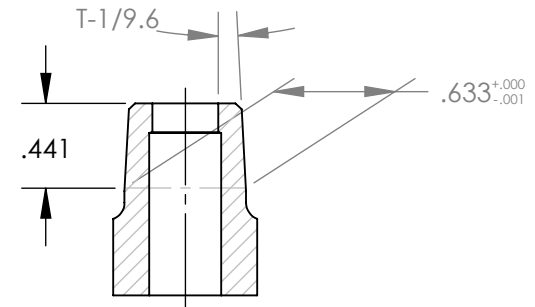
6 CT



4 CT



5 CT



6 CT

OD SHANK TAPER FOR FEMALE CAPS

$$1/20 = 1.433^\circ = 1^\circ 26'$$

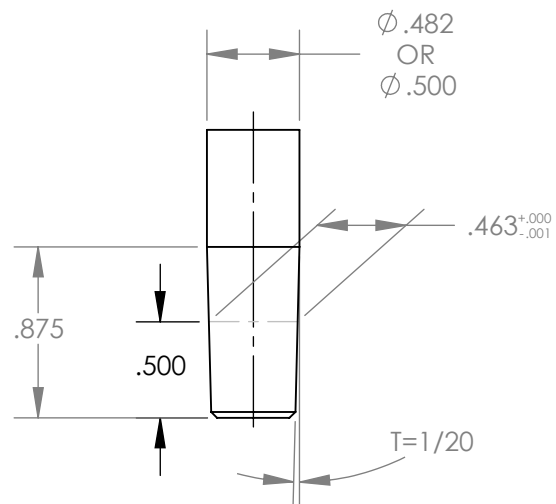
$$1/9.8 = 2.948^\circ = 2^\circ 56' 52''$$

$$1/9.6 = 2.982^\circ = 2^\circ 58' 53''$$

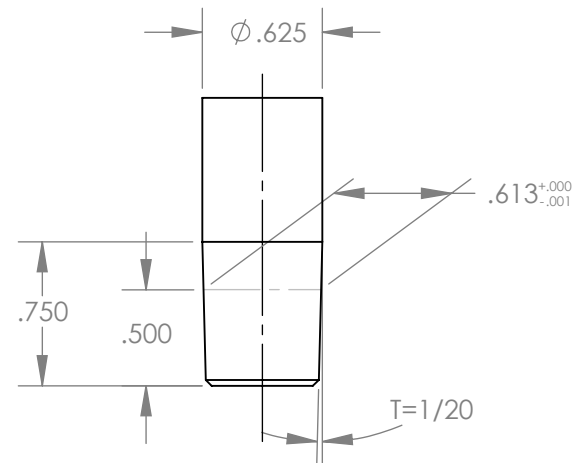
TUFFALOY PRODUCTS, INC.
1400 SOUTH BATESVILLE RD
GREER, SOUTH CAROLINA 29650

RWMA MALE STANDARD ELECTRODE TAPERS

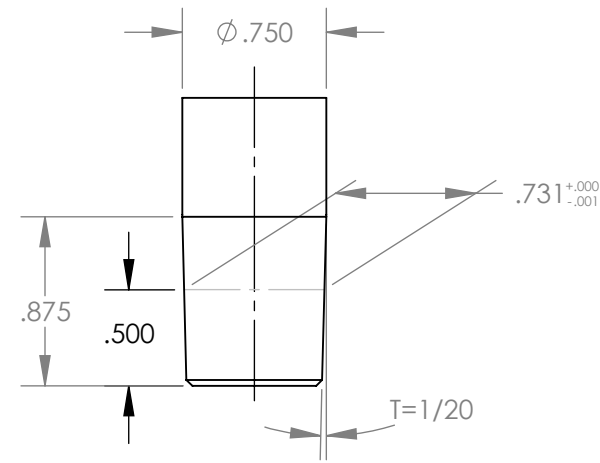
4 RW



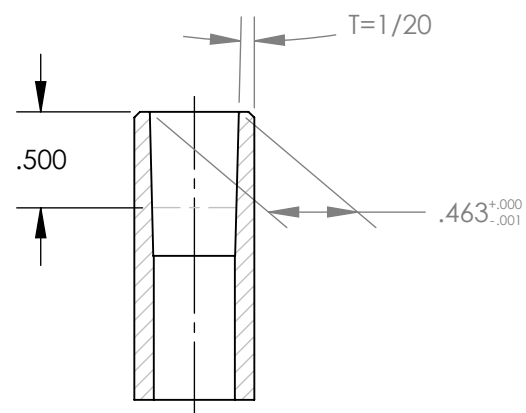
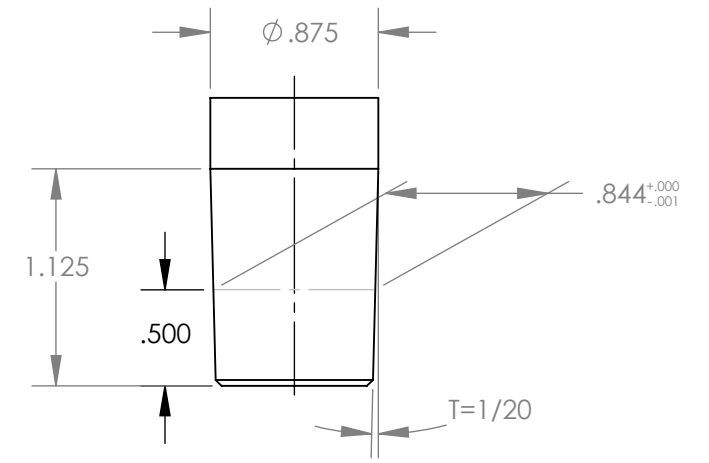
5 RW



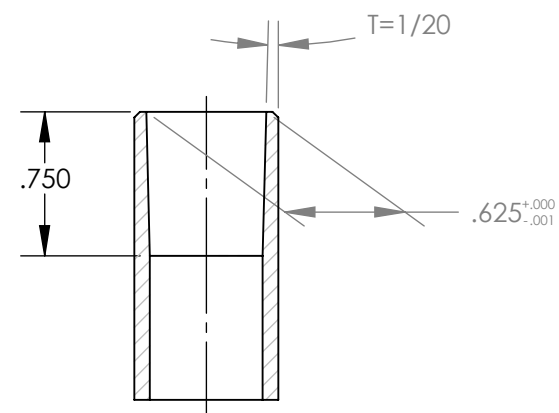
6 RW



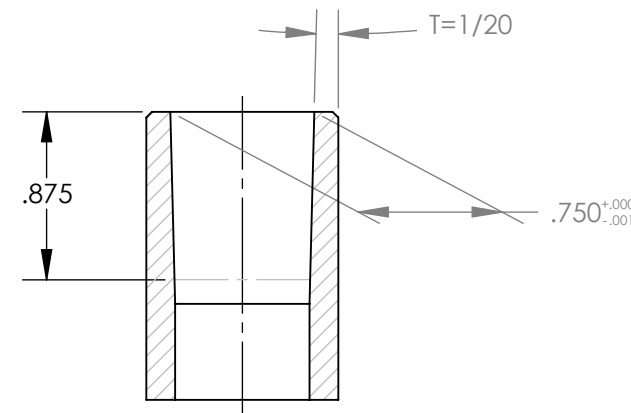
7 RW



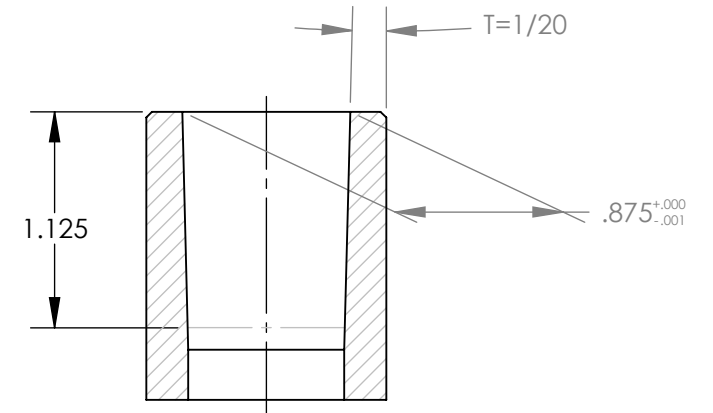
4 RW



5 RW



6 RW



7 RW

FEMALE TAPERS FOR STANDARD ELECTRODE HOLDERS

1/20 = 1.433° = 1°26'
 1/9.8 = 2.948° = 2°56'52"
 1/9.6 = 2.982° = 2°58'53"

TUFFALOY PRODUCTS, INC.
 1400 SOUTH BATESVILLE RD
 GREER, SOUTH CAROLINA 29650